

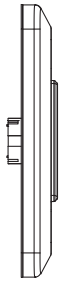


Materials used

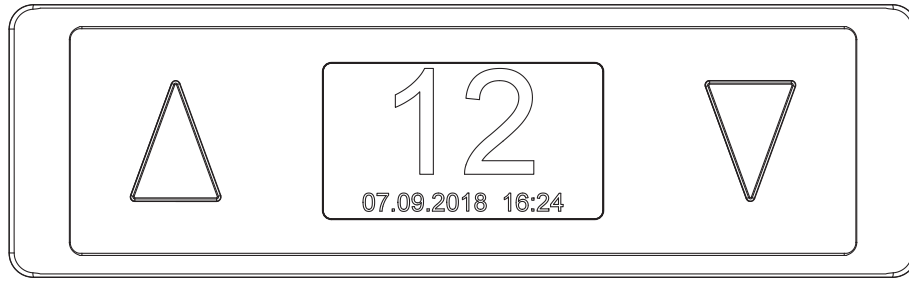
Face plate	stainless steel AISI 304, thickness 0,8mm	
Mount plate	stainless steel AISI 430, thickness 0,8mm	
Indicator lens	Polycarbonate	
Arrows	Body	Polyamide 6
	Fixing locks	ABS

Available finishes

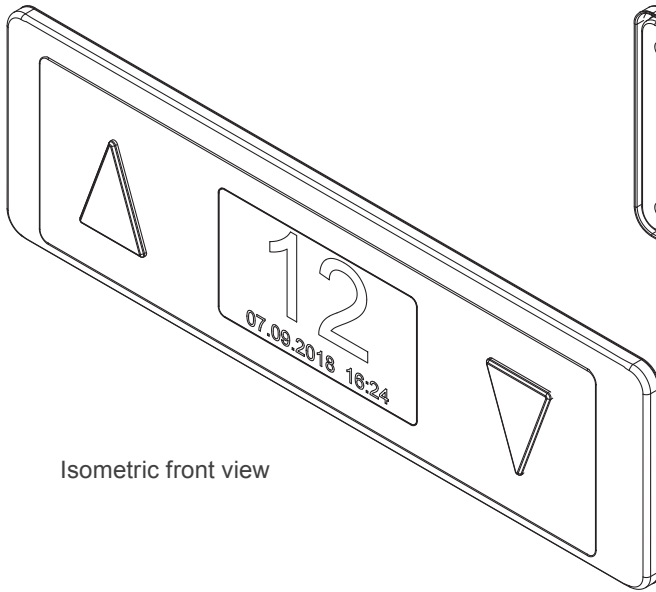
	Silver brushed(standard)		Silver mirror
	Gold brushed		Gold mirror
	Bronze brushed		Bronze mirror
	Champagne brushed		Champagne mirror
	Black brushed		Black mirror



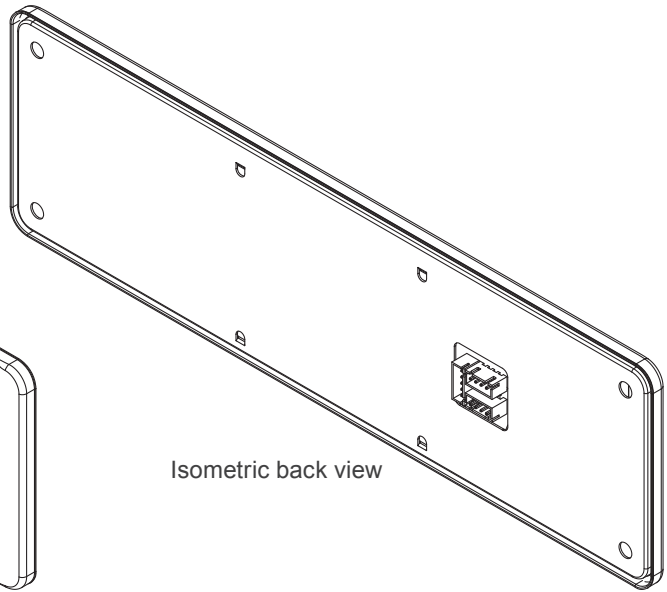
Side view



Front view



Isometric front view



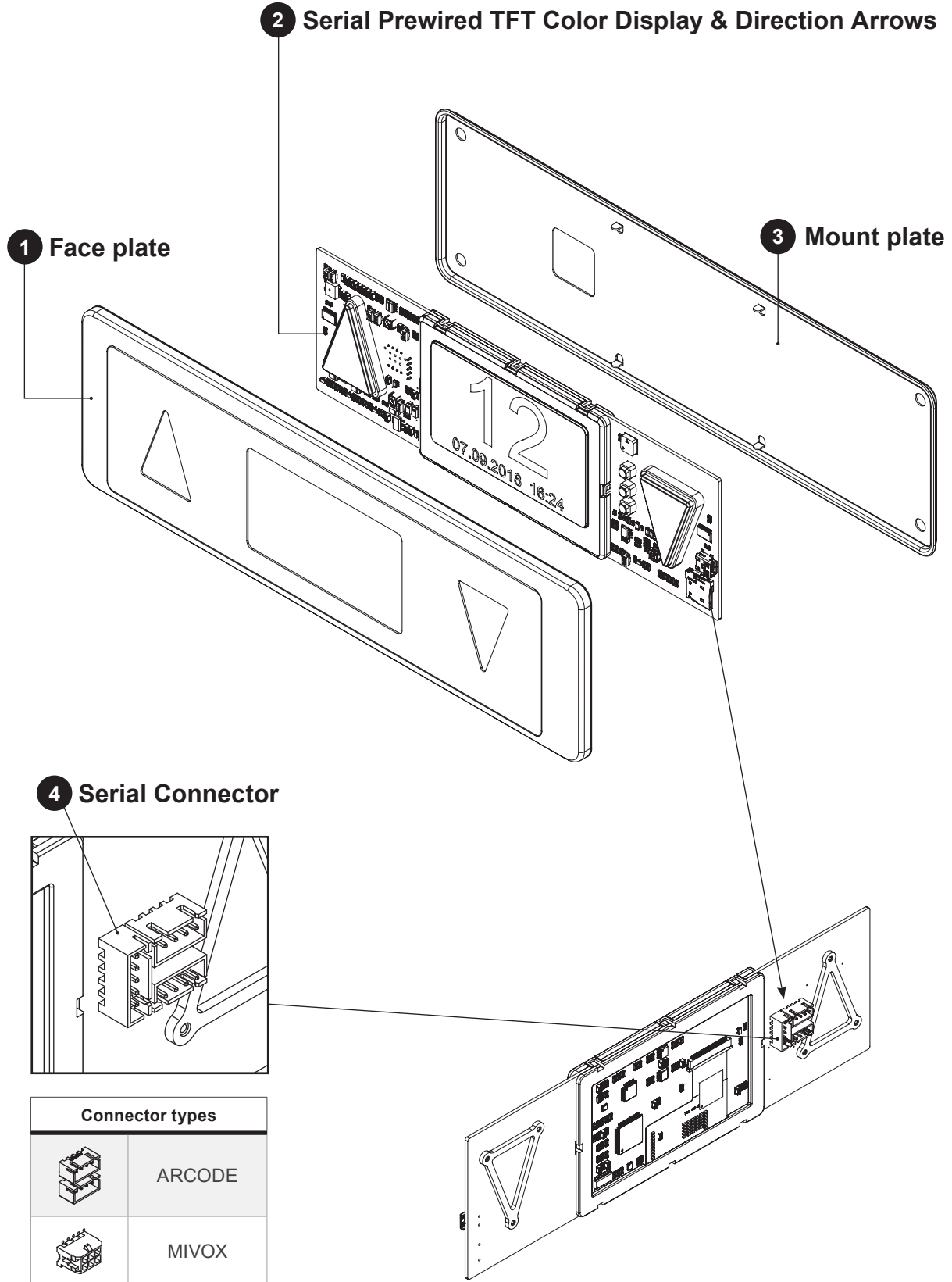
Isometric back view

Technical details	
push plate	304 Grade Brushed plate
chassis	Translucent plastic
chassis lock	ABS plastic
PCB	high quality PCB

Materials	
Faceplate	brushed AISI 304L stainless steel
Mountplate	AISI 430 stainless steel
Button body	polyamide
Display Lens	-

Dimensions	
Width	80mm
Height	250mm
Depth	9,9mm

Components



Serial prewired connection block diagram

